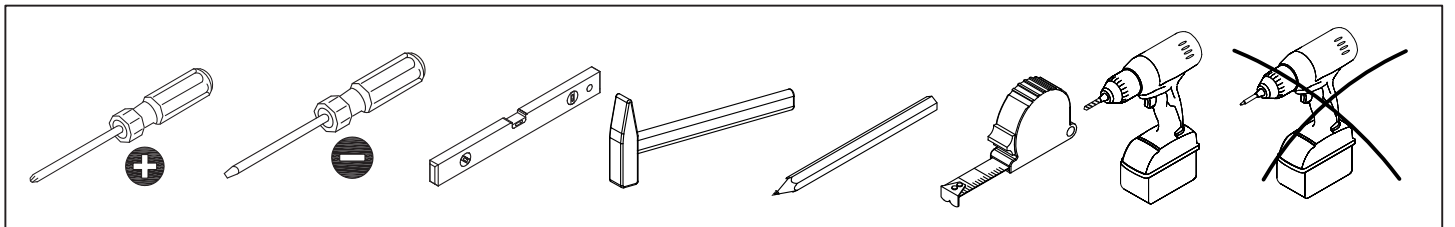
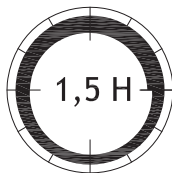
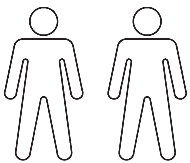
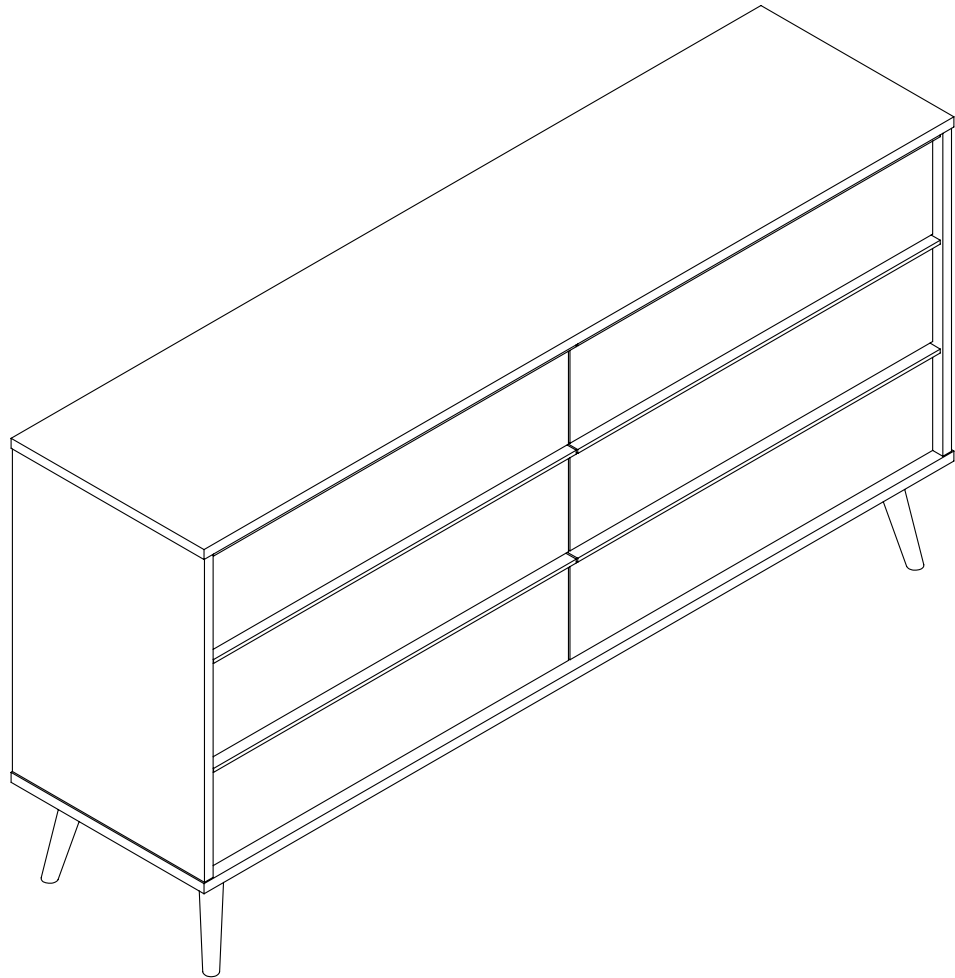
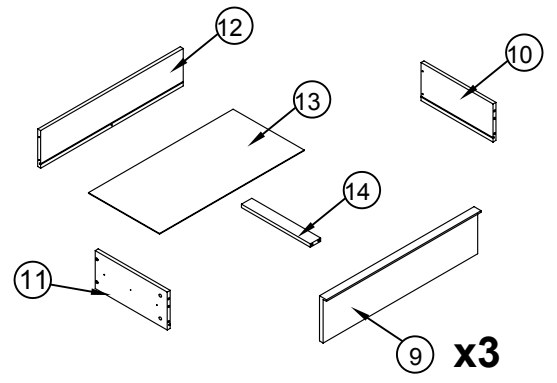
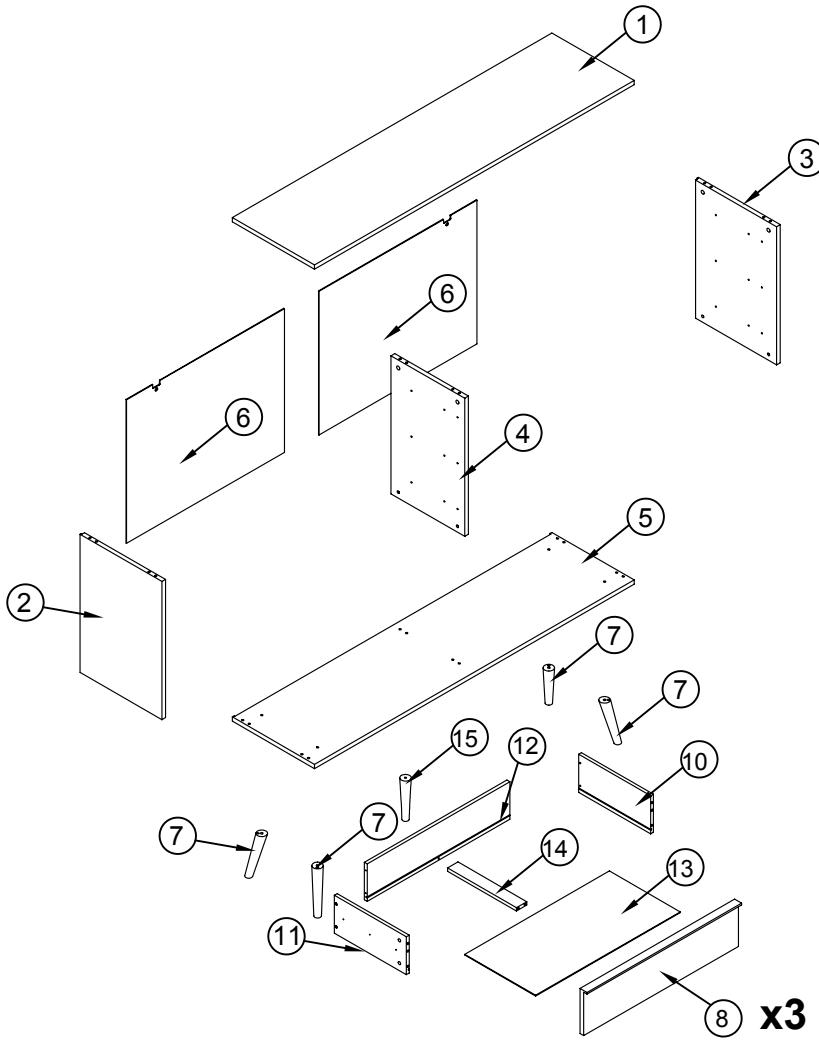


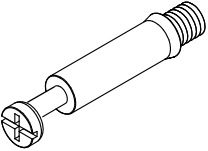

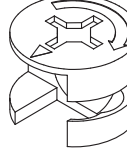
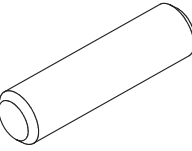

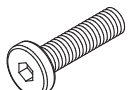
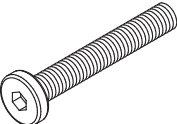

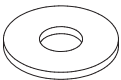
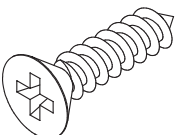
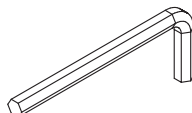

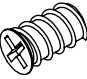


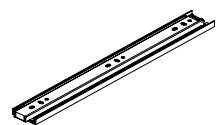
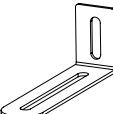
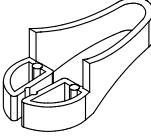
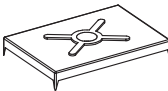
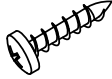
# TRONDHEIM



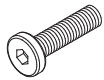
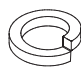
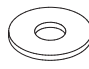
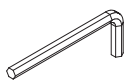
			✓
①	1	1555x400x18	
②	1	582x398x18	
③	1	583x398x18	
④	1	583x358x18	
⑤	1	1555x400x18	
⑥	2	768x606x3	
⑦	4	220xØ40xØ25	
⑧	3	752x190x34	



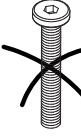
			✓
⑨	3	752x190x34	
⑩	6	350x162x14	
⑪	6	350x162x14	
⑫	6	693.5x160x14	
⑬	6	702.5x344x3	
⑭	6	285x50x14	
⑮	1	175xØ40xØ25	

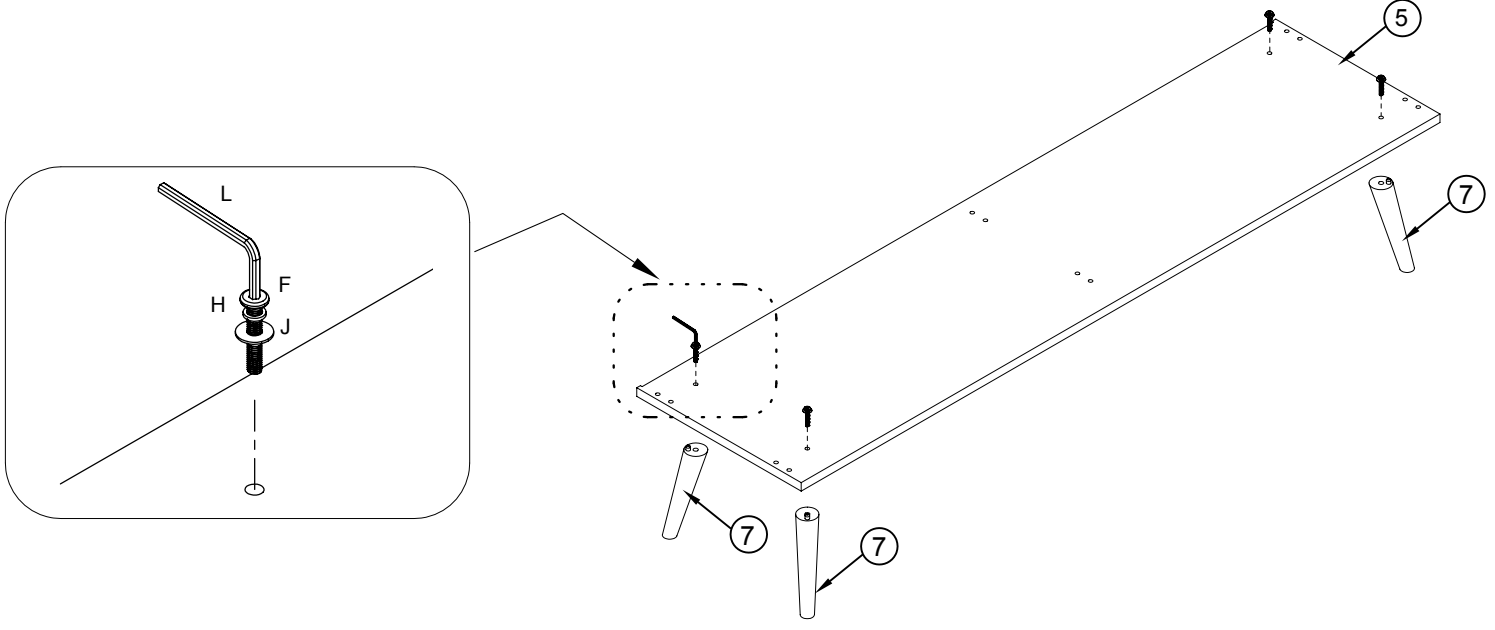


<p>A x 30</p>  <p>M6/34 mm</p>	<p>B x 6</p>  <p>Ø15x12 mm</p>	<p>C x 24</p>  <p>Ø12x10 mm</p>	<p>D x 48</p>  <p>Ø8x30 mm</p>	<p>E x 30</p>  <p>Ø4x30 mm</p>
<p>F x 4</p>  <p>M6x35 mm</p>	<p>G x 6</p>  <p>M6x50 mm</p>	<p>H x 4</p>  <p>Ø6 mm</p>	<p>J x 4</p>  <p>Ø6/Ø12 mm</p>	<p>K x 52</p>  <p>Ø3,5x16 mm</p>
<p>L x 1</p>  <p>4 mm</p>	<p>M x 6</p>  <p>Ø10x14 mm</p>	<p>N x 36</p>  <p>Ø6x10 mm</p>	<p>P x 6</p>  <p>Ø4/Ø12 mm</p>	<p>Q x 18</p>  <p>Ø1.2x20 mm</p>
<p>R x 12</p>  <p>300 mm</p>	<p>S x 2</p>  <p>85x30x20 mm</p>	<p>T x 1</p>  <p>45x19x16 mm</p>	<p>U x 2</p>  <p>20x14x3 mm</p>	<p>V x 2</p>  <p>Ø3.5x16 mm</p>

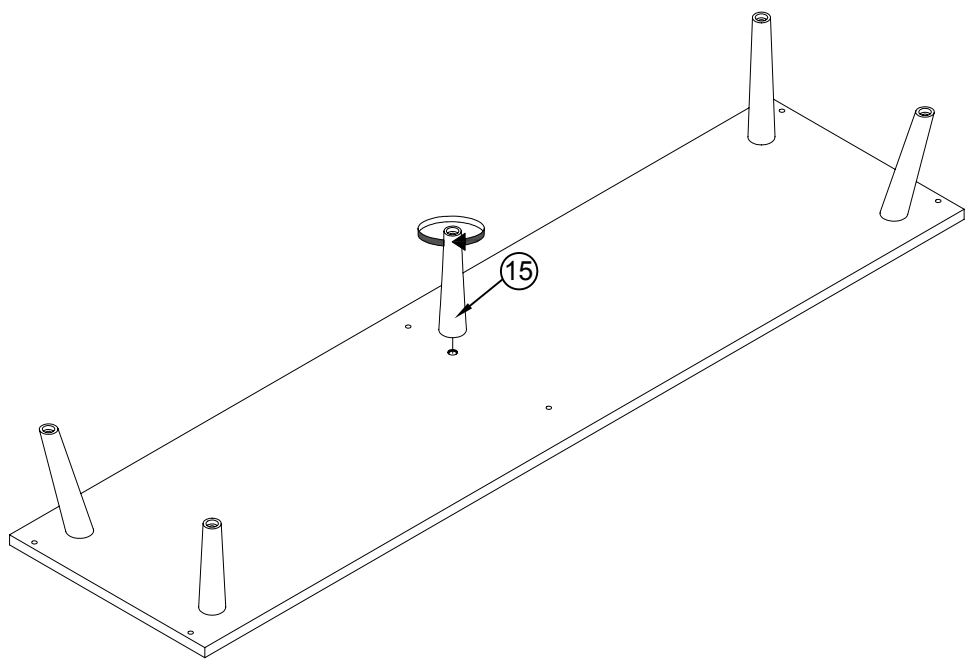
# 1

F x 4  M6x35 mm	H x 4  Ø6 mm	J x 4  Ø6/Ø12 mm	L x 1  4 mm
--	---	---	--

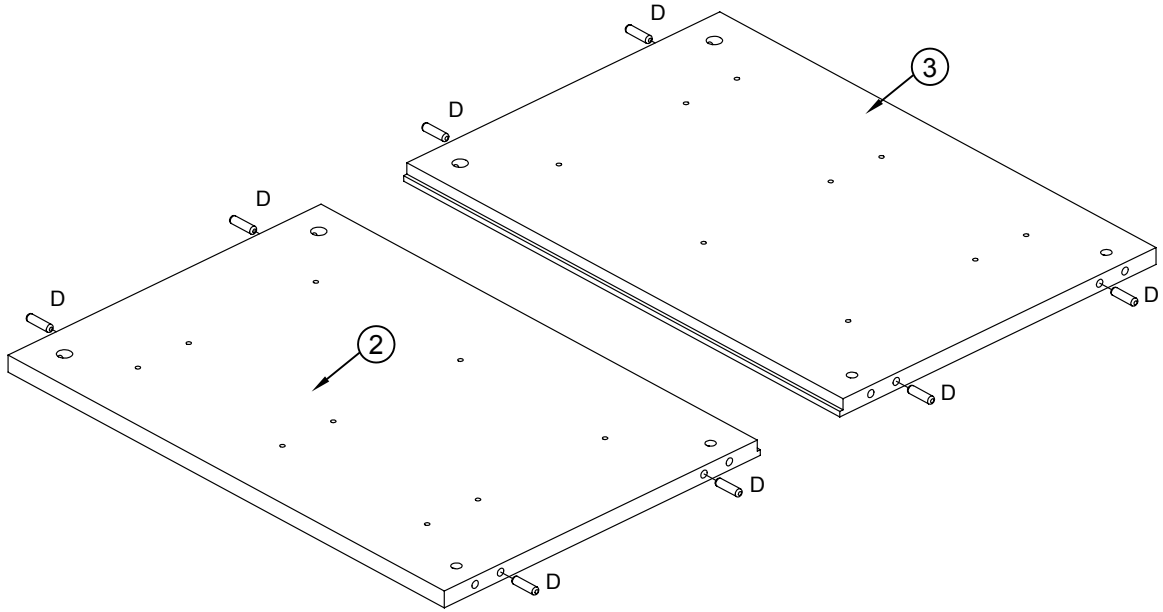
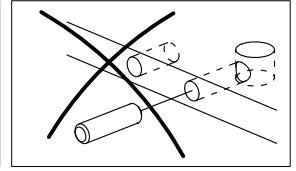
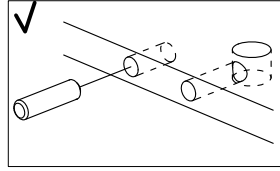
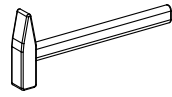
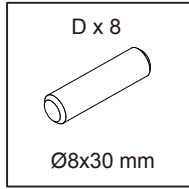
 F  G   
M6x35 mm M6x50 mm



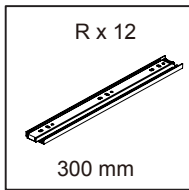
# 2



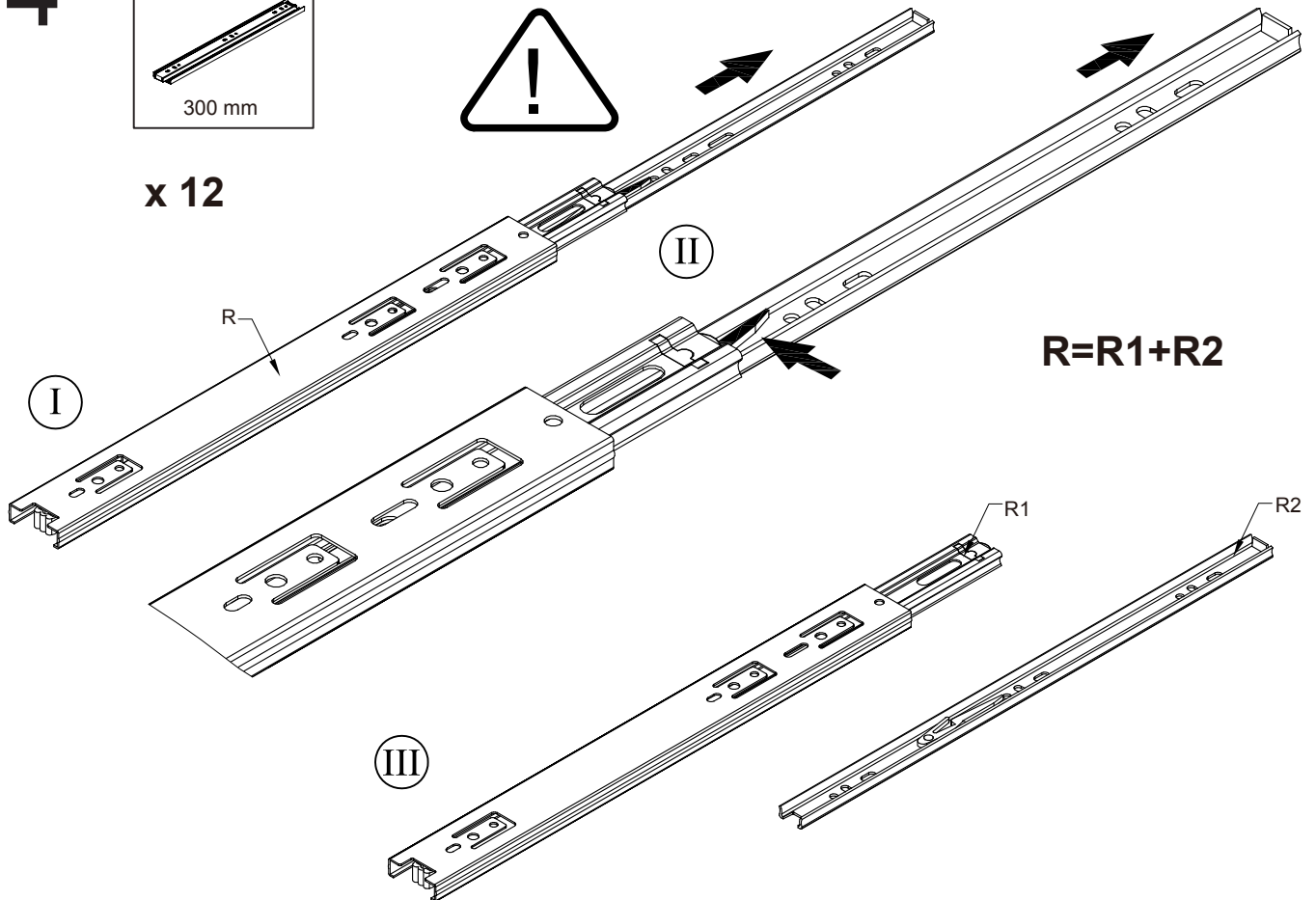
# 3



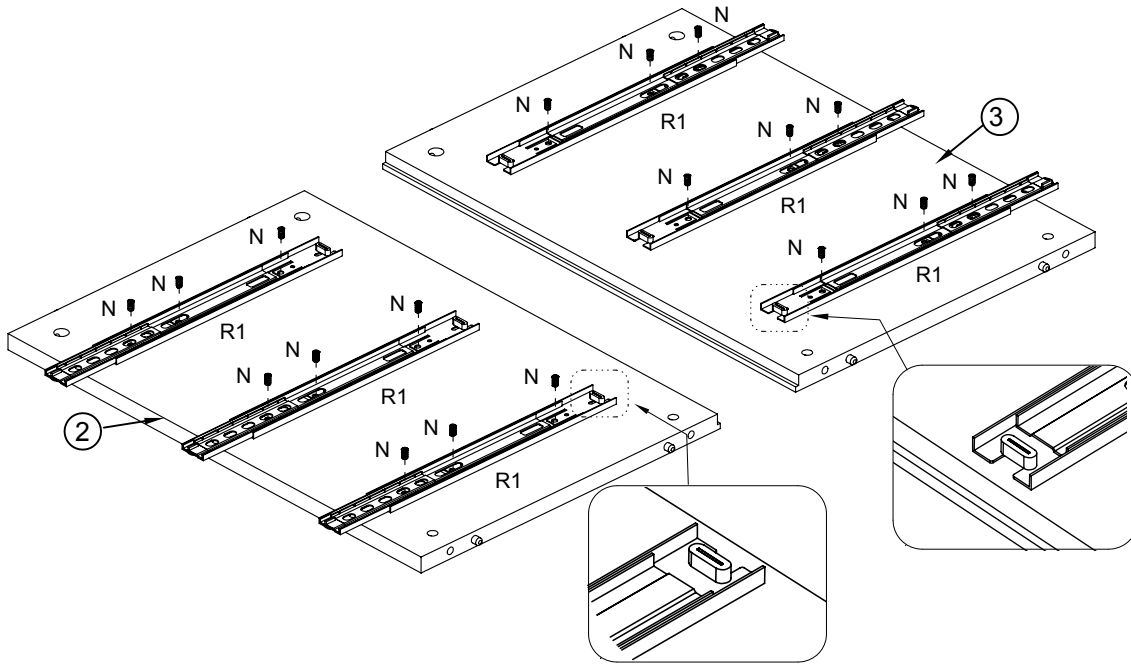
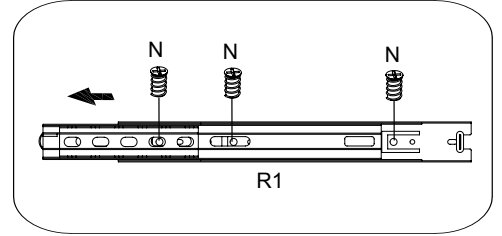
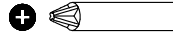
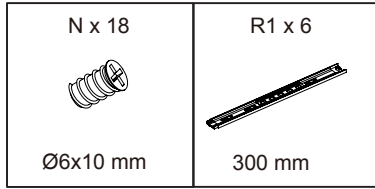
# 4



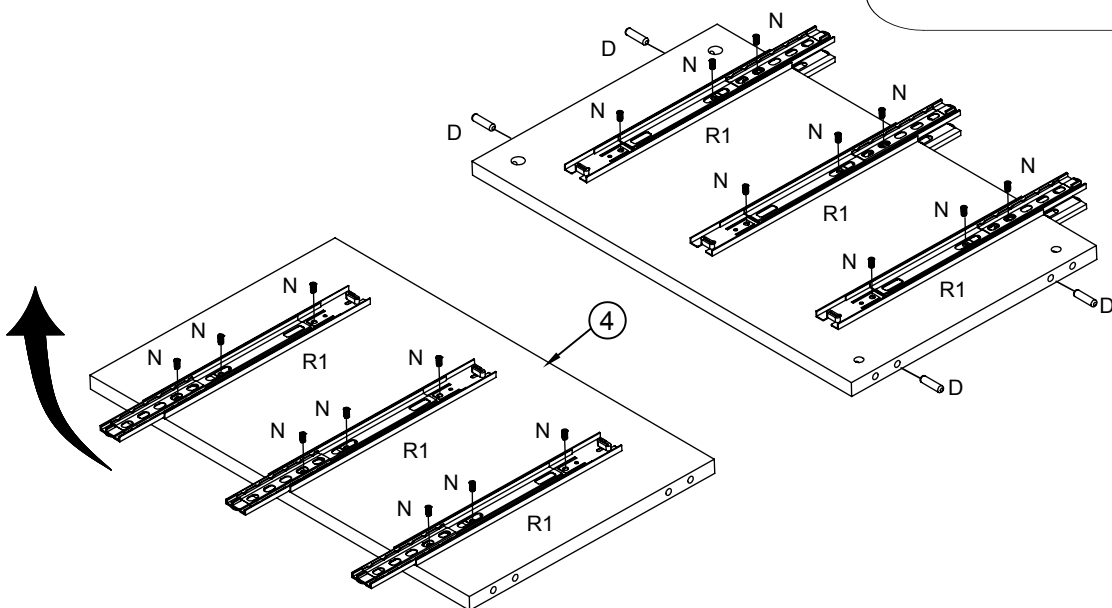
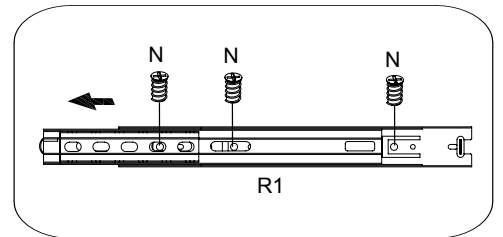
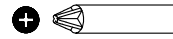
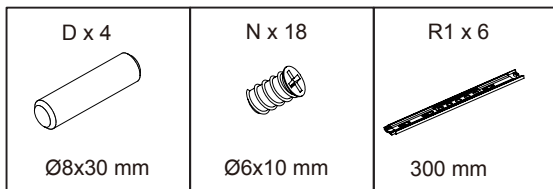
x 12



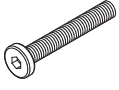
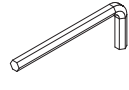
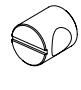
# 5

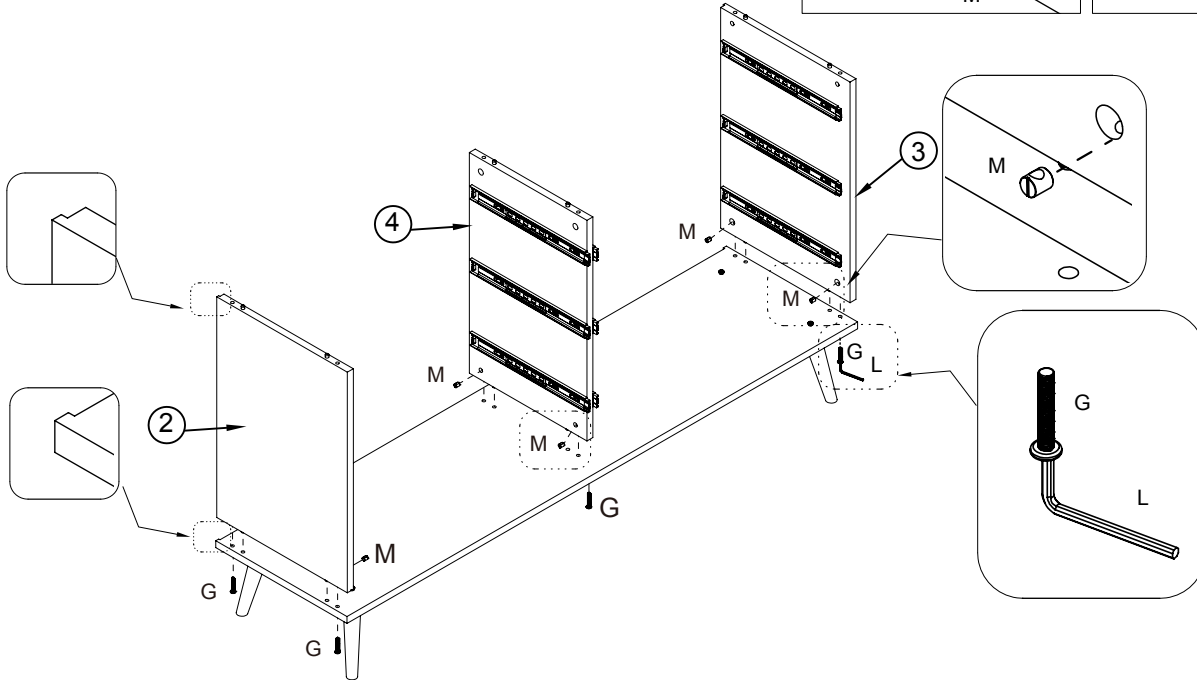
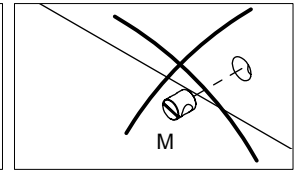
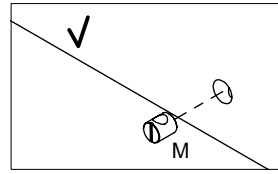


# 6

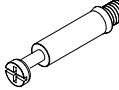





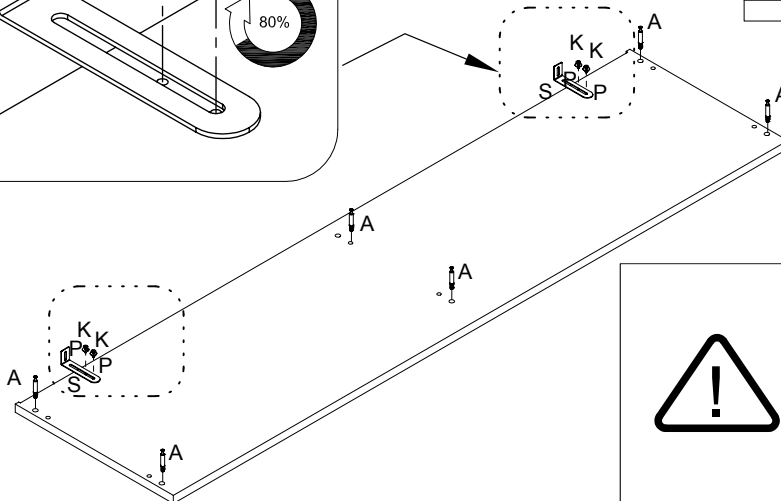
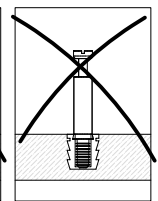
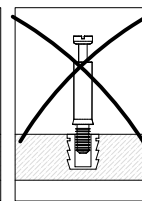
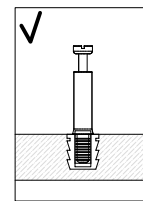
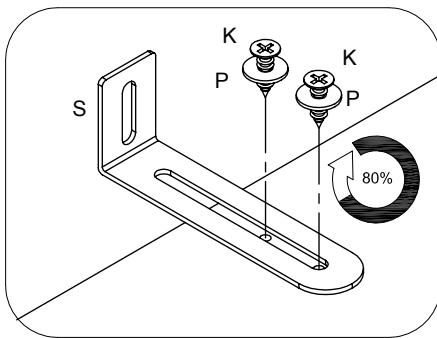
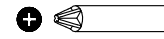
# 7



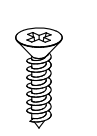

G x 6  M6x50 mm	L x 1  4 mm	M x 6  Ø10x14 mm
--	--	---



# 8

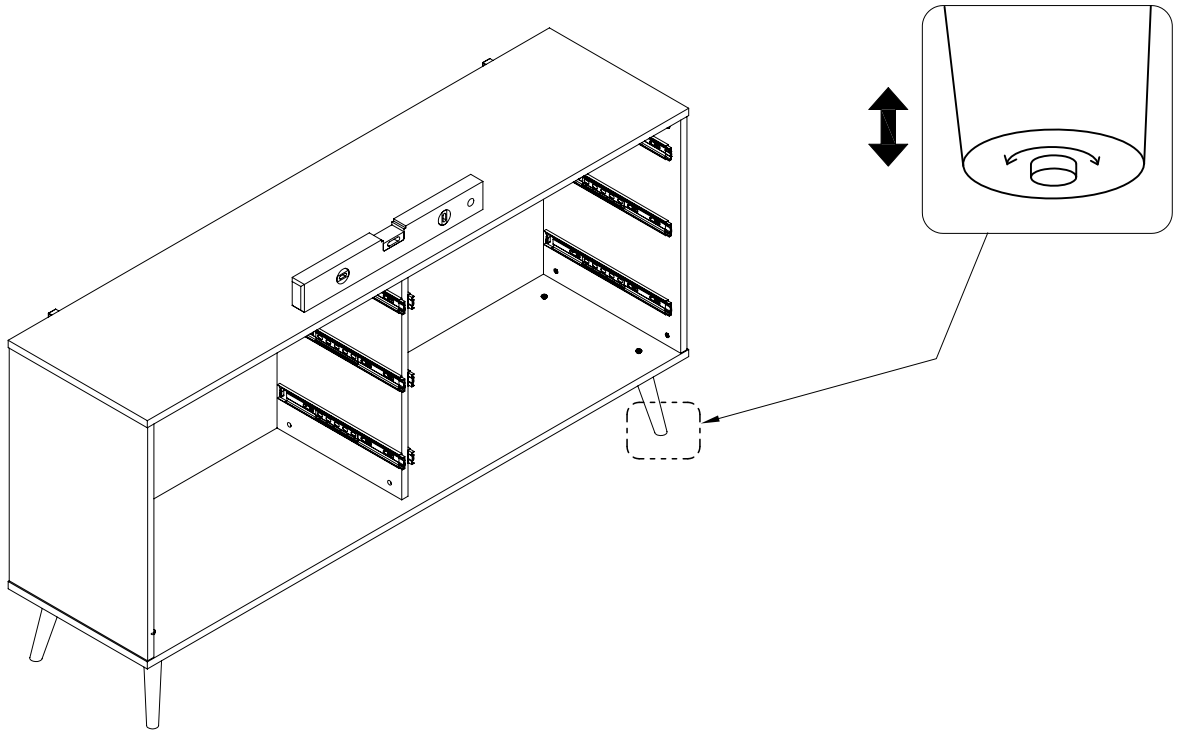
A x 6  M6/34 mm	K x 4  Ø3,5x16 mm	P x 4  Ø4/Ø12 mm	S x 2  85x 30 x20 mm
--	--	---	---



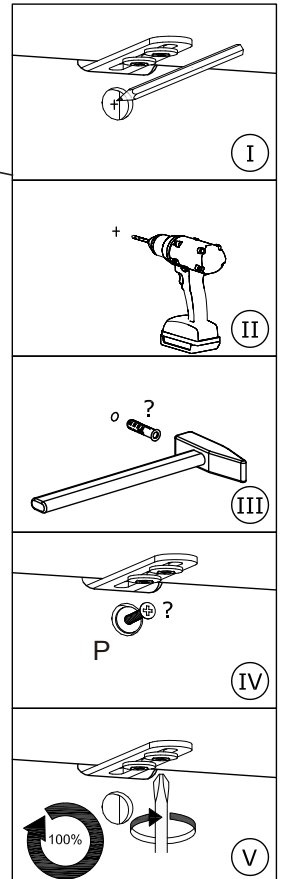
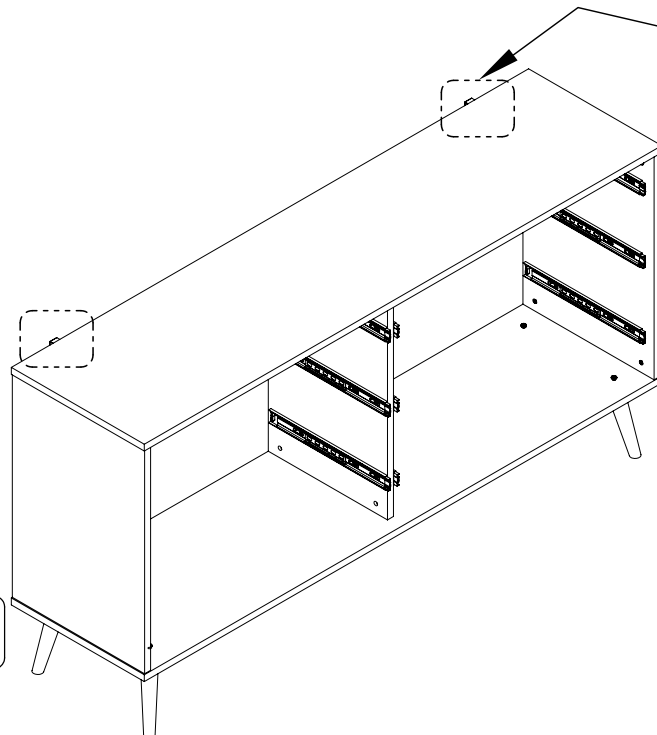
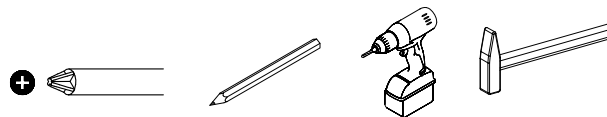
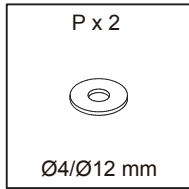
	E  Ø4x30 mm	K  Ø3,5x16 mm	V  Ø3,5x16 mm
--	--	--	--



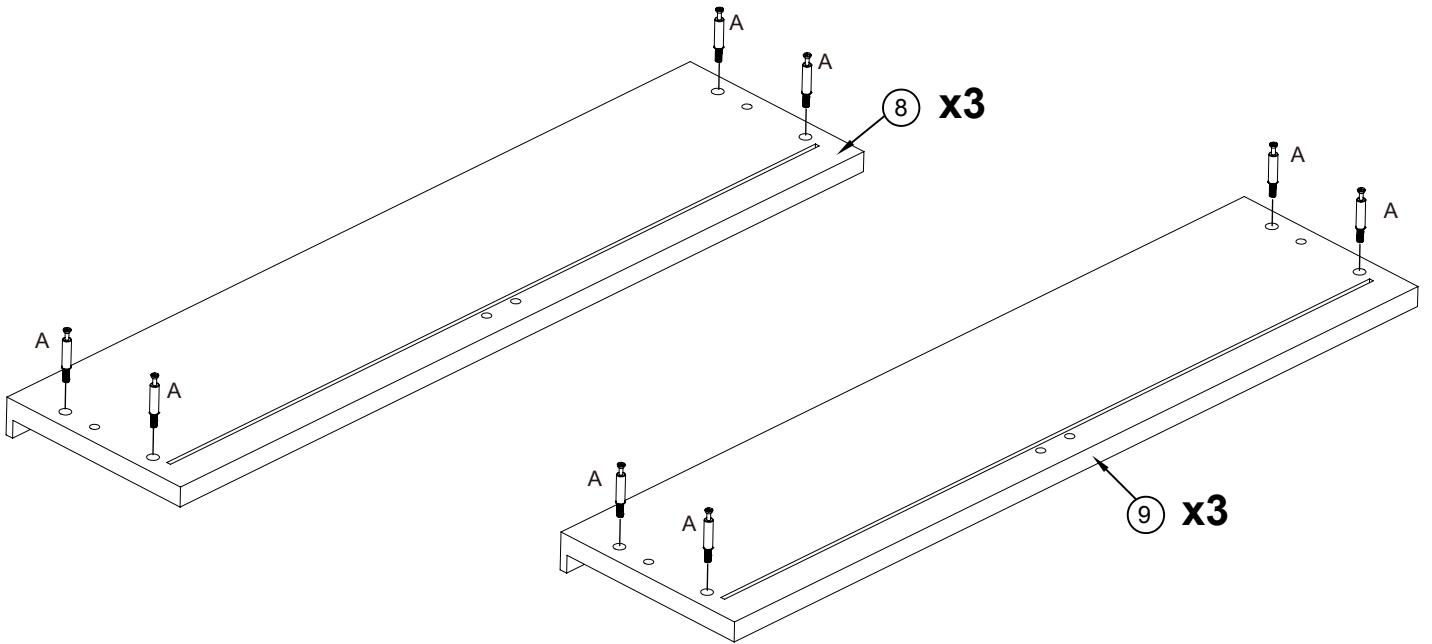
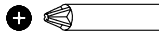
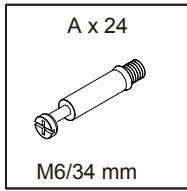
# 11



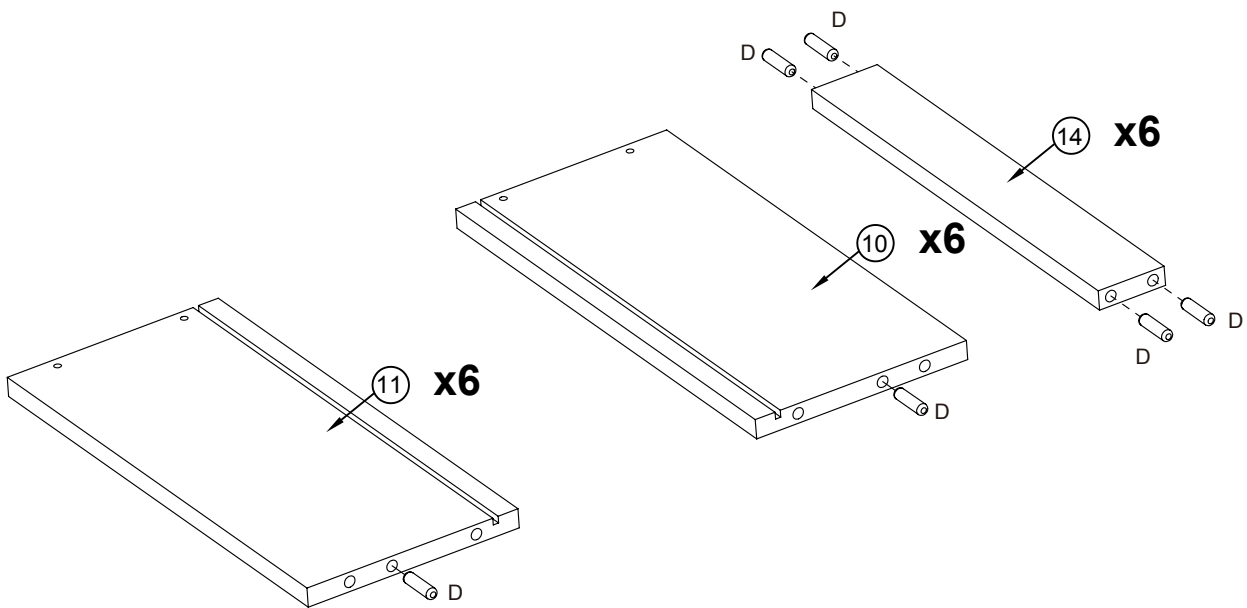
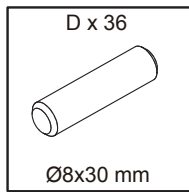
# 12



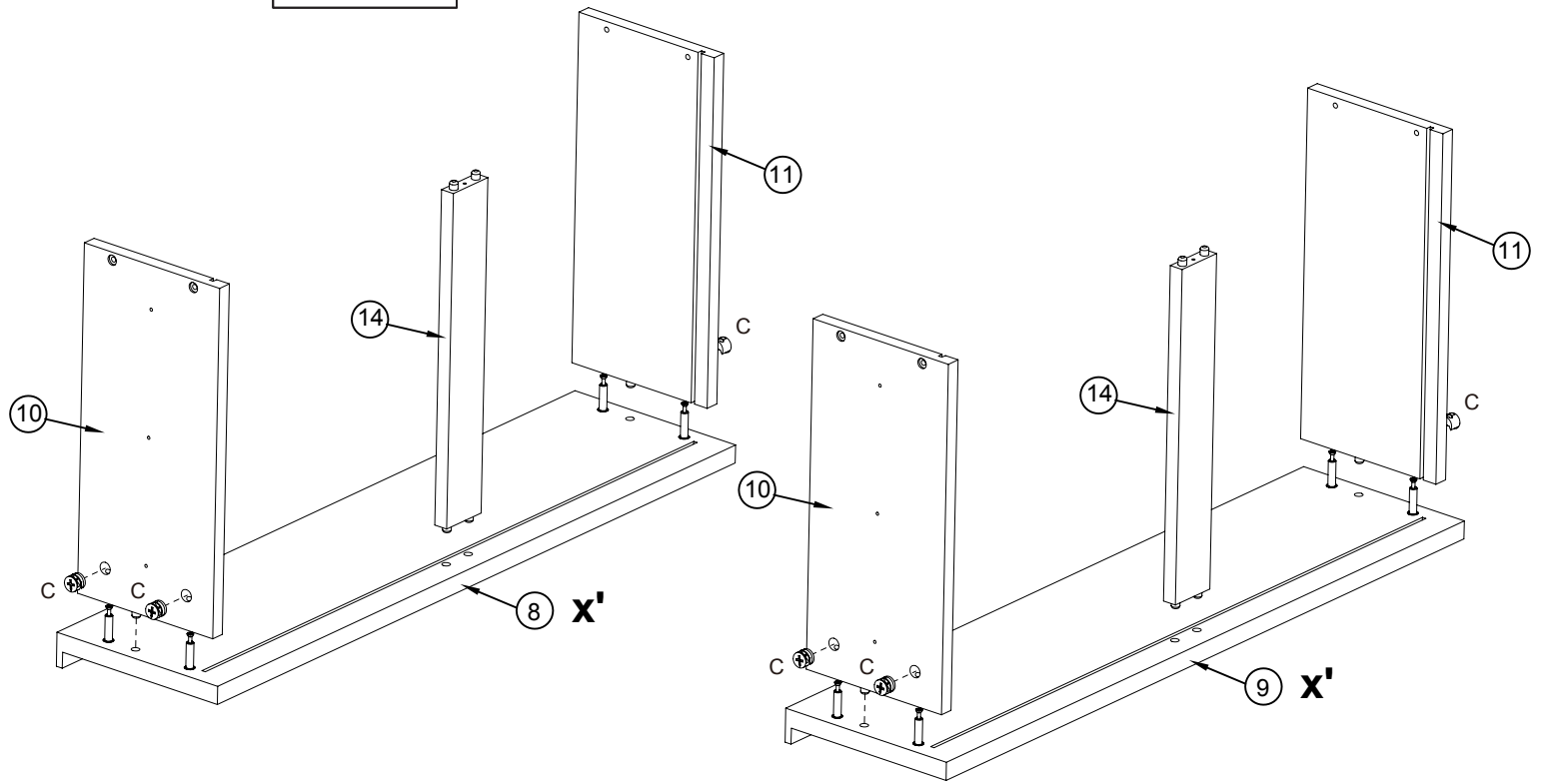
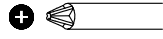
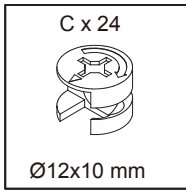
# 13



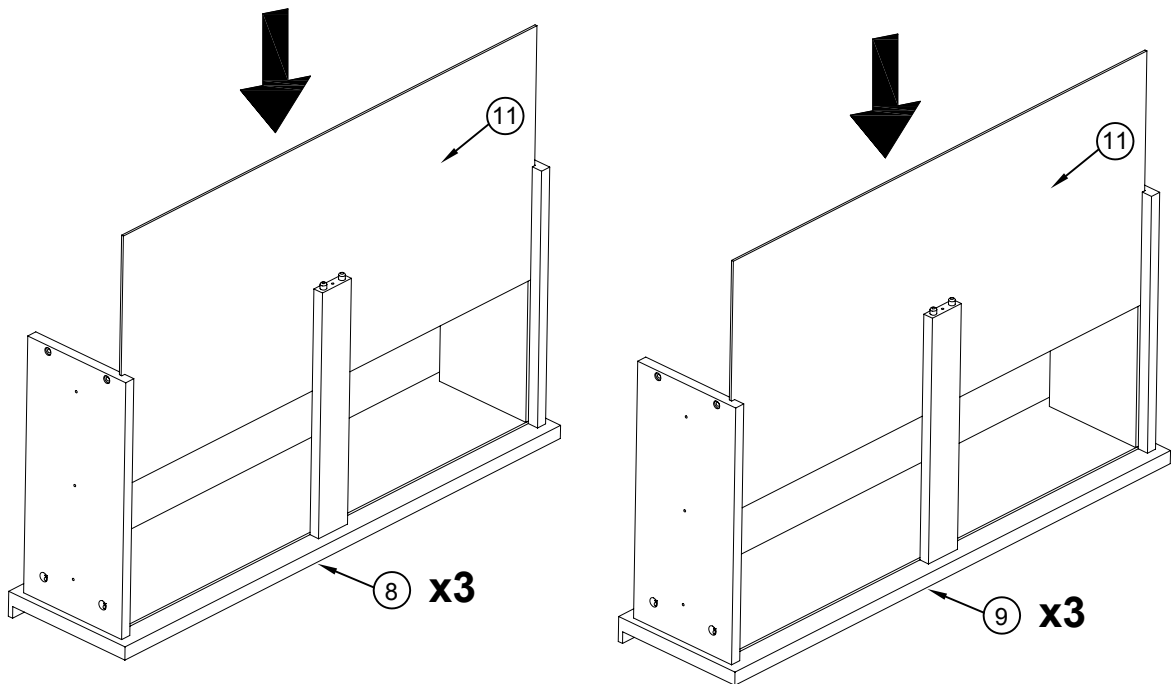
# 14



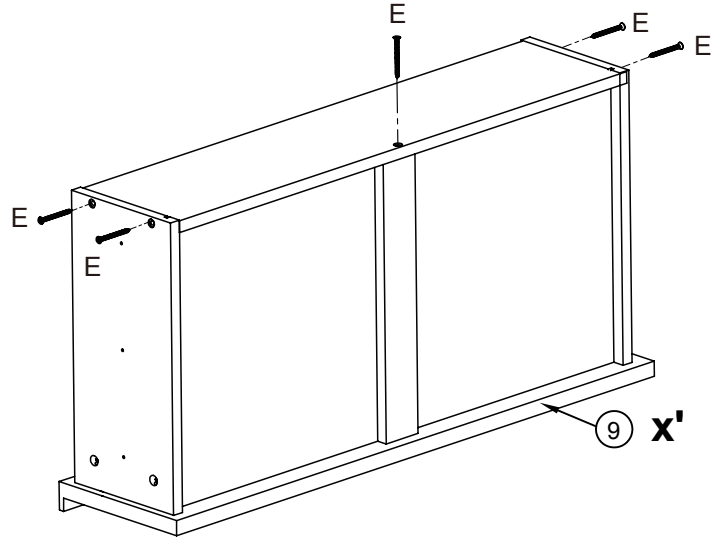
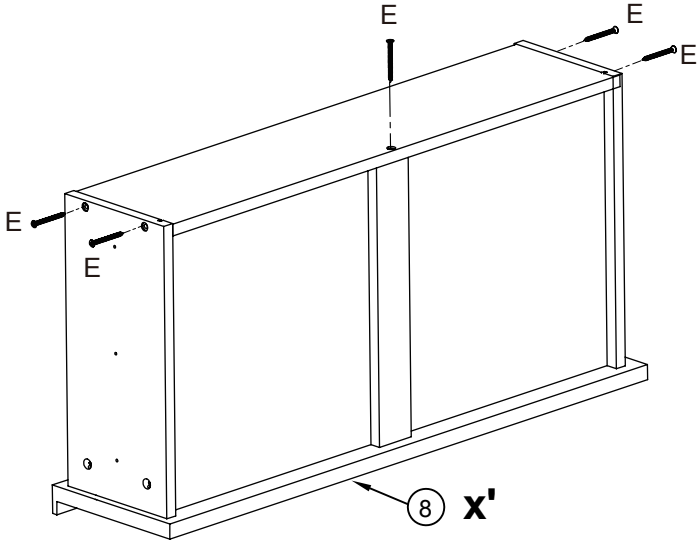
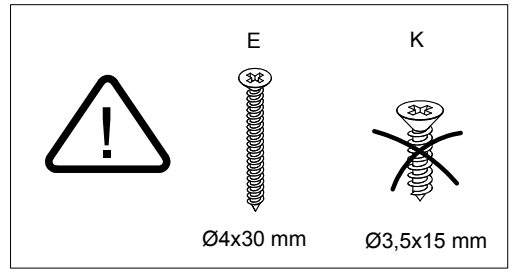
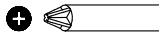
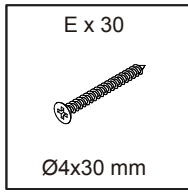
# 15



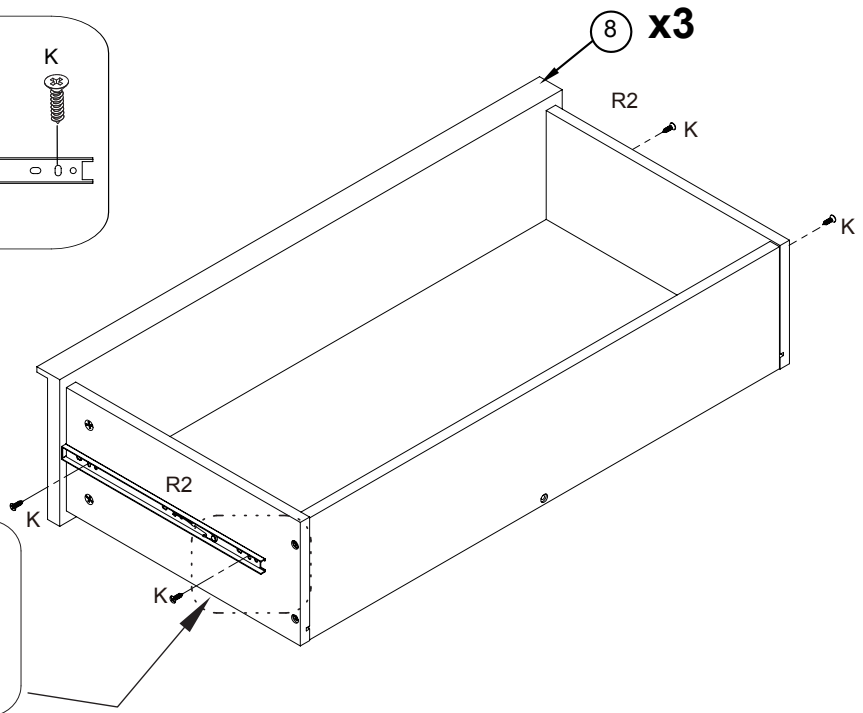
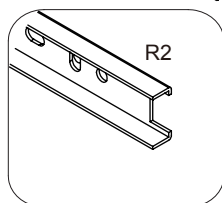
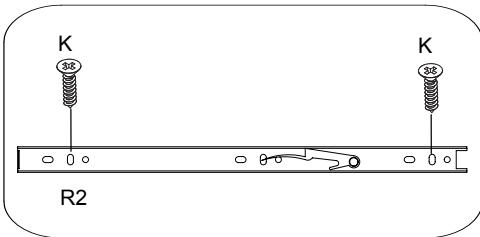
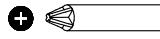
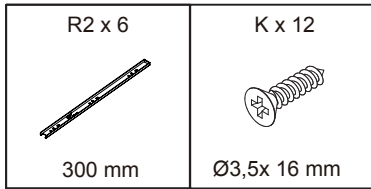
# 16



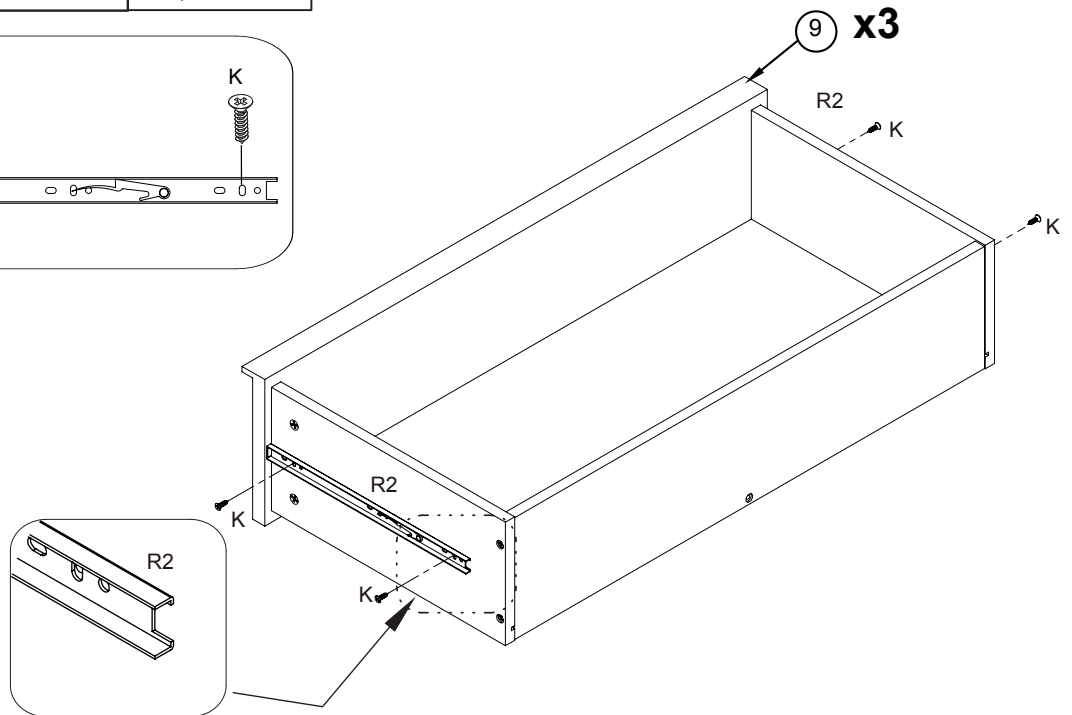
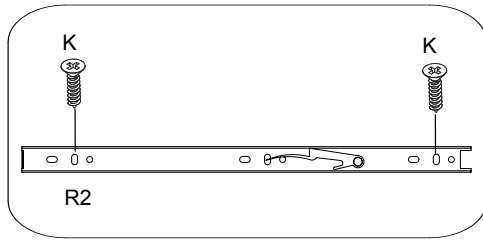
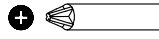
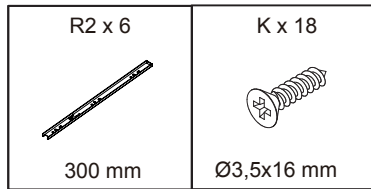
# 17



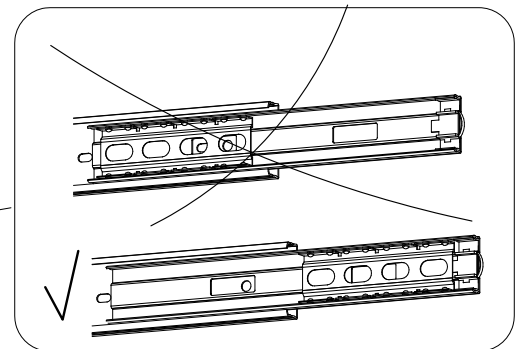
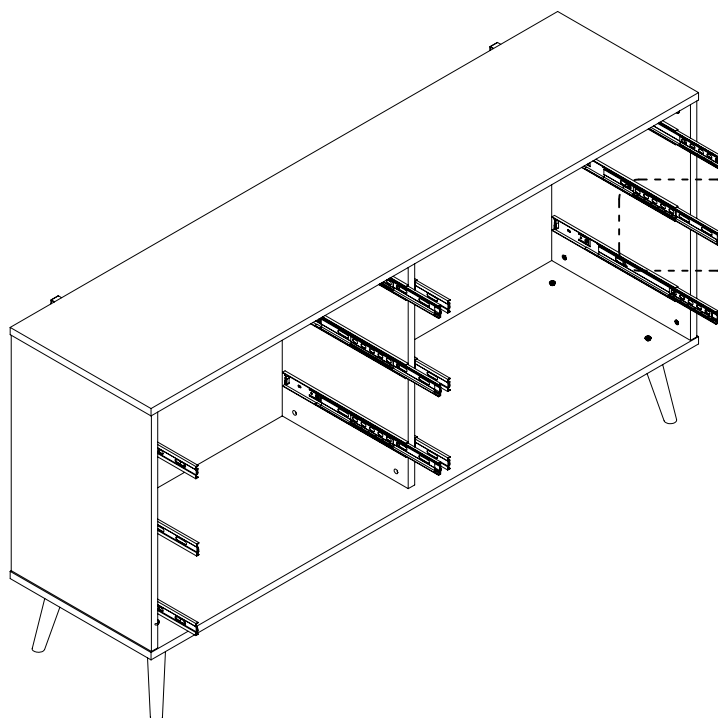
# 18

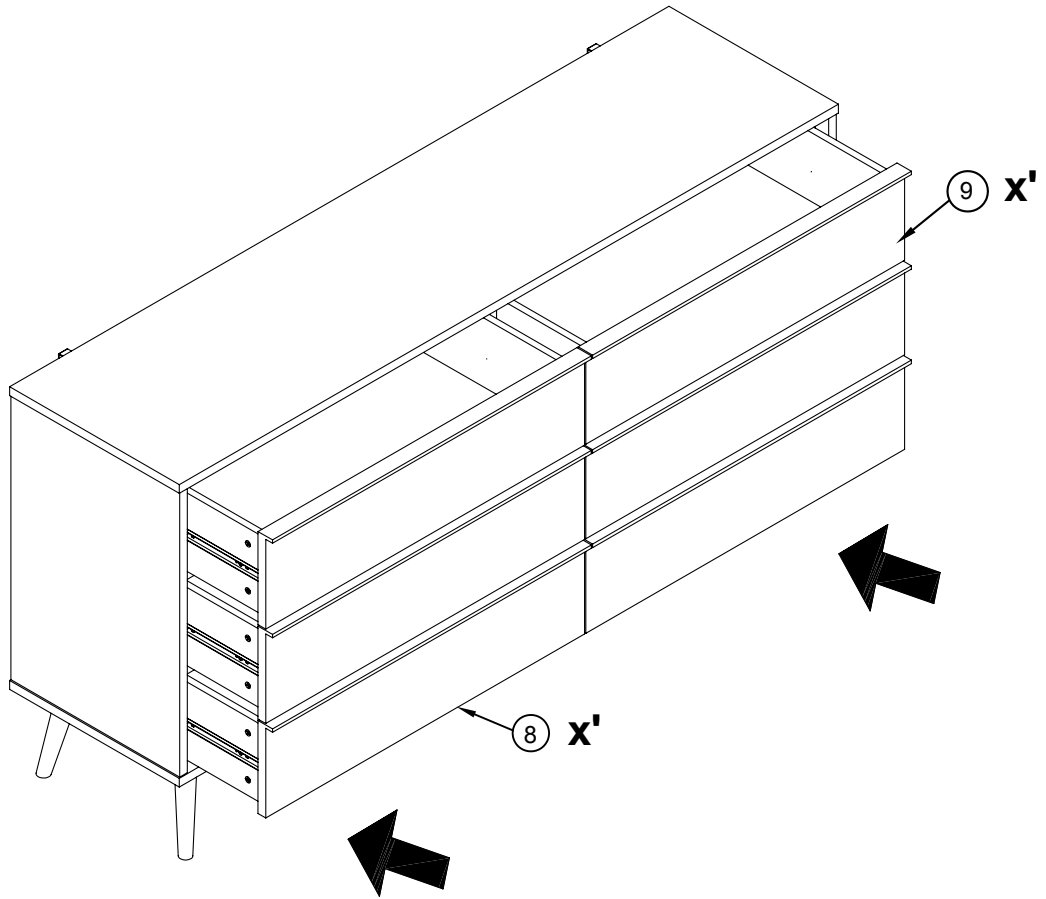


# 19

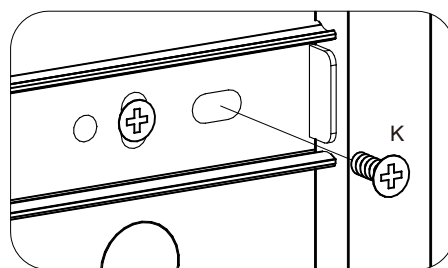
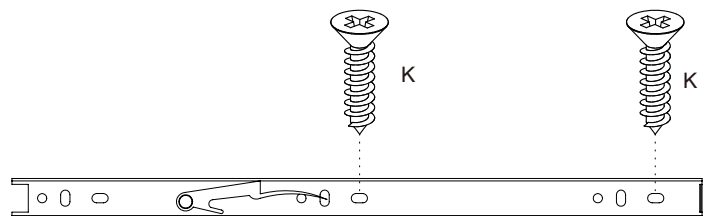
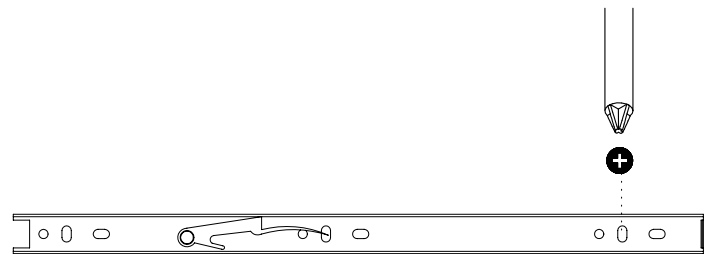
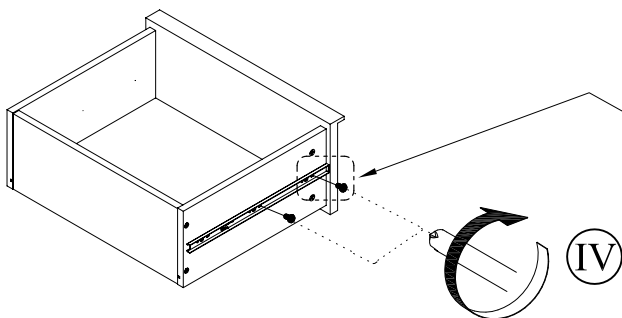
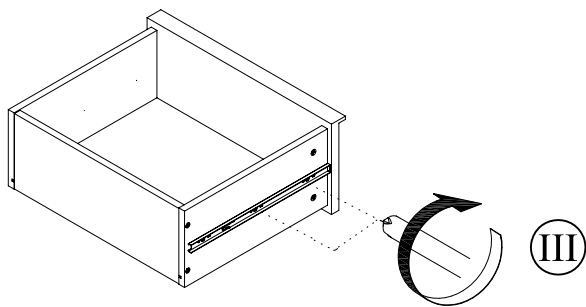
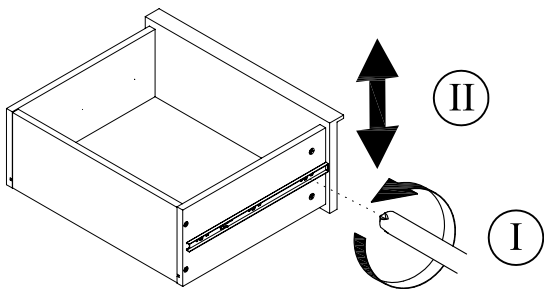
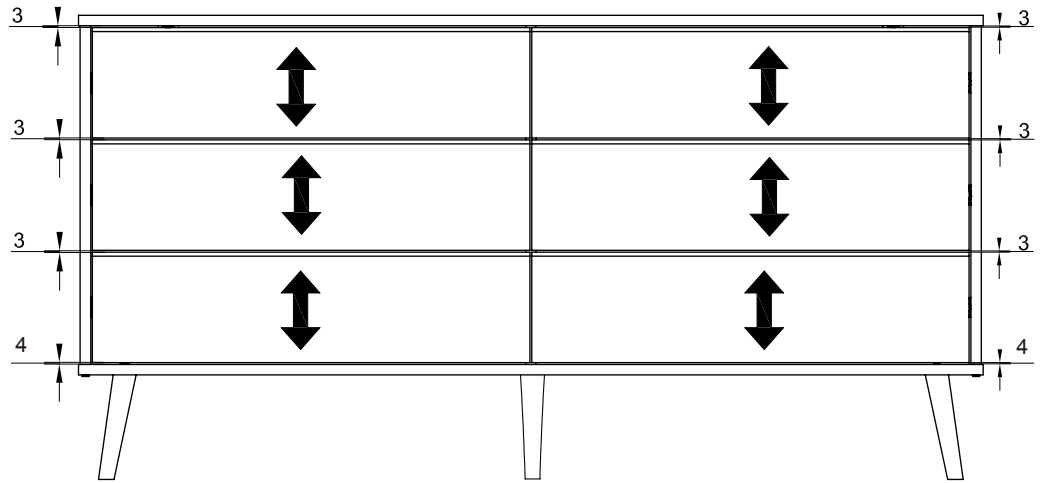
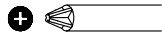
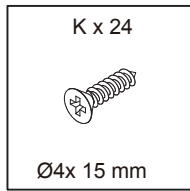


# 20





# 22



23

